

BRIDGING UNITS: 500, 600, 800, 900mm

IMPORTANT INFORMATION- PLEASE READ CAREFULLY

Shown below is a general assembly diagram and a list of fittings. These show the correct number of parts and fittings required to assemble the cabinet. Please note that all parts are identified by a capital letter (eg. A) and fittings are identified by a lower case letter (eg. a). These will be referred to in the following instructions.

The assembly sequence is shown in logical numbered steps.

There may be extra parts and fittings supplied, do not discard these until your kitchen is completed.

The important parts within these steps have been highlighted to help with identification.

Note: Doors referred to in these instructions are supplied separately.

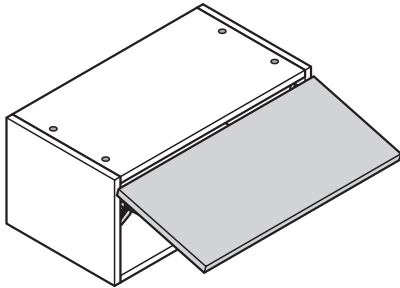
Useful tips: Lay large panels on the floor and use the packaging to protect the panels.

Do not overtighten screws. Plumbing, gas and electrical services should be prepared by an approved tradesman before installing the new kitchen.

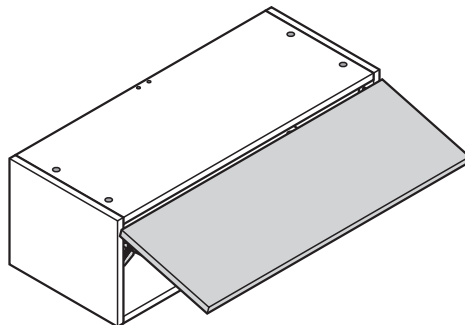
Important: There are two heights of Bridging Units but, unless stated otherwise, assembly of the units is similar. The 900mm wide unit has a vertical back rail which is not fitted to 500 and 600 wide units..



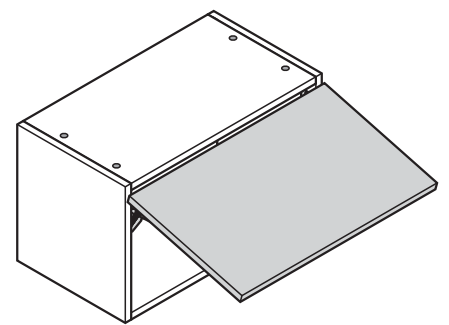
CAUTION: SMALL FITTINGS CHOKING HAZARD. KEEP AWAY FROM SMALL CHILDREN.



290mm High
500, 600mm wide

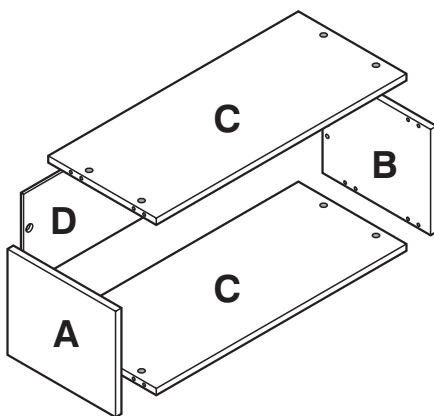


290mm High
800, 900, 1000mm wide

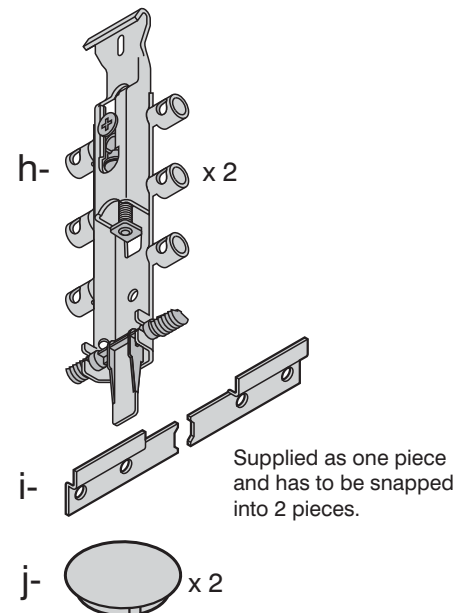
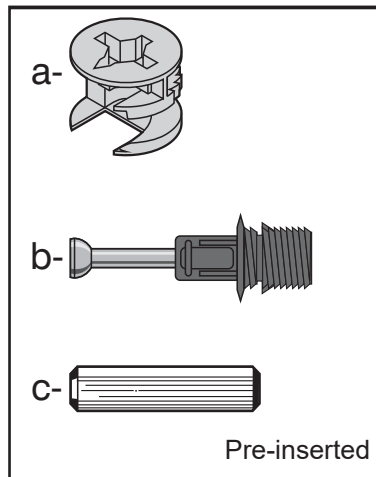


360mm High
500, 600mm wide

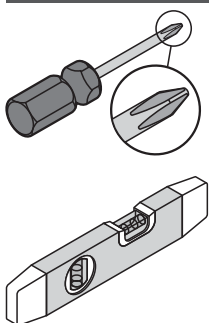
COMPONENTS



FITTINGS

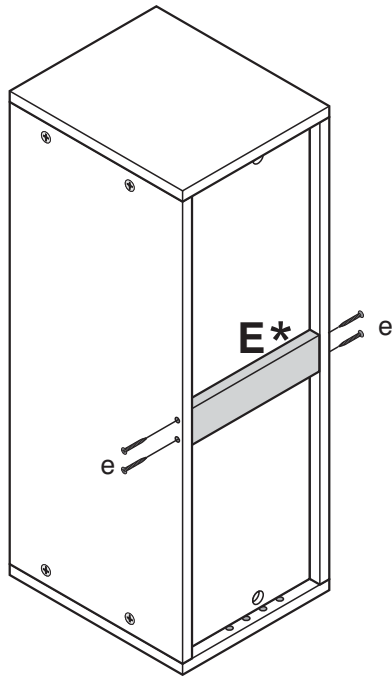


TOOLS REQUIRED

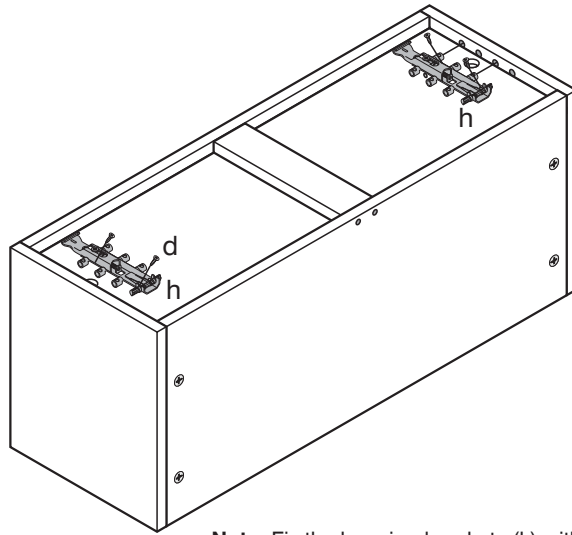


5

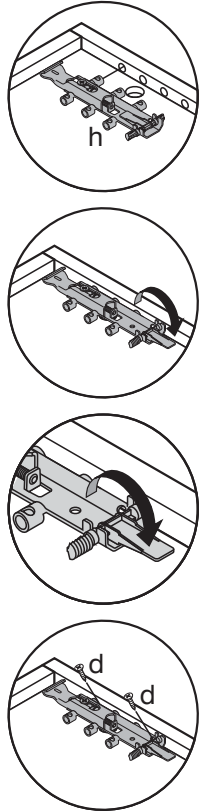
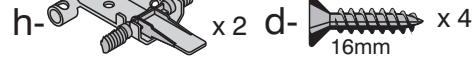
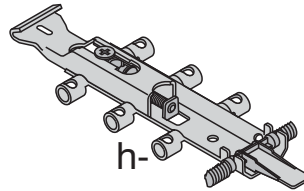
* **Note:** Back Panel 'E' is only fitted to 900mm wide units.



6

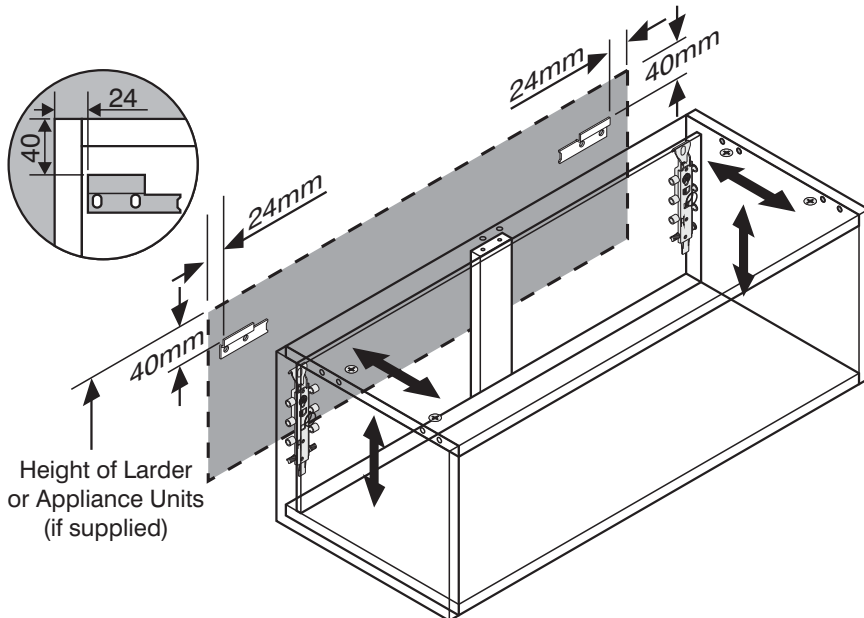


Note: Fix the hanging brackets (k) with two 16mm Screws (d) in each bracket.

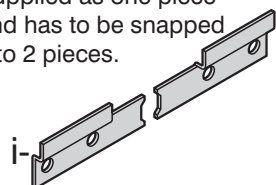


7

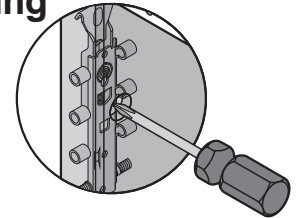
Important: When this unit is fitted above a hob, please refer to the hob manufacturer's instructions for information regarding the minimum distance allowed between the appliances and wall units.
Measurement is to the top outer corner of the plate (i). Fasten the wall hanging plates securely to the wall with fixings suitable for the type of wall (not supplied).



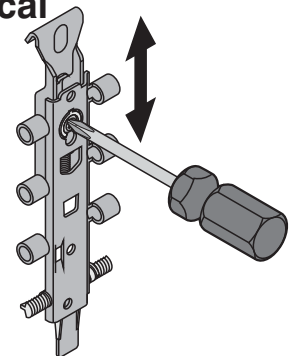
Supplied as one piece and has to be snapped into 2 pieces.



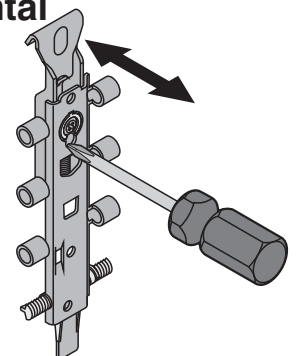
Levelling



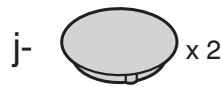
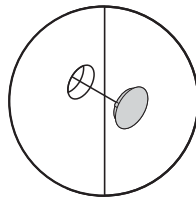
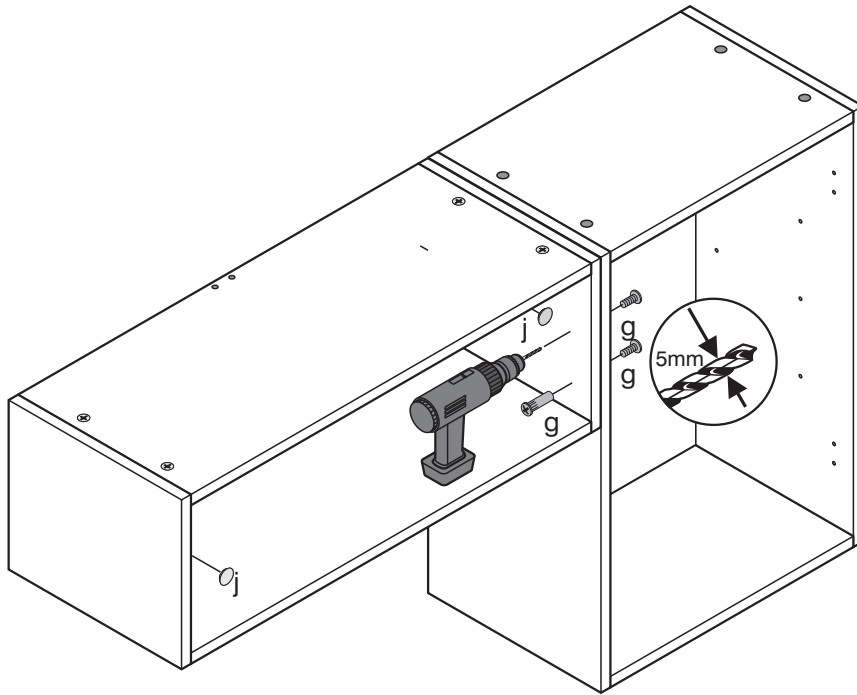
Vertical



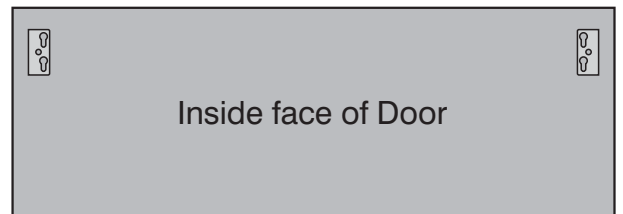
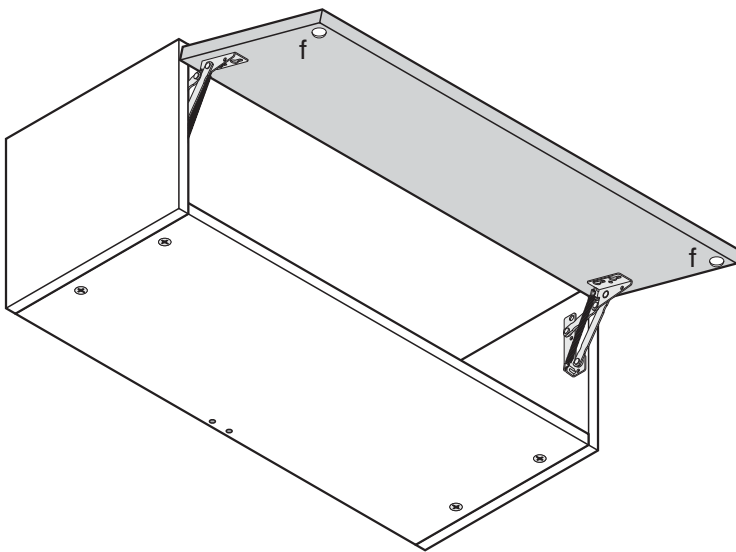
Horizontal



8



9



Inside face of Door

Mark the positions on the inside of the door for the Lift-Up Hinges with a bradawl.

