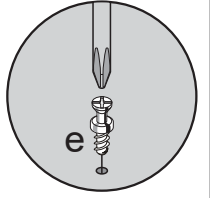
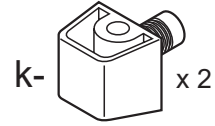
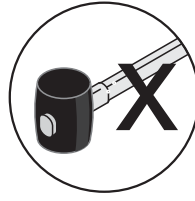
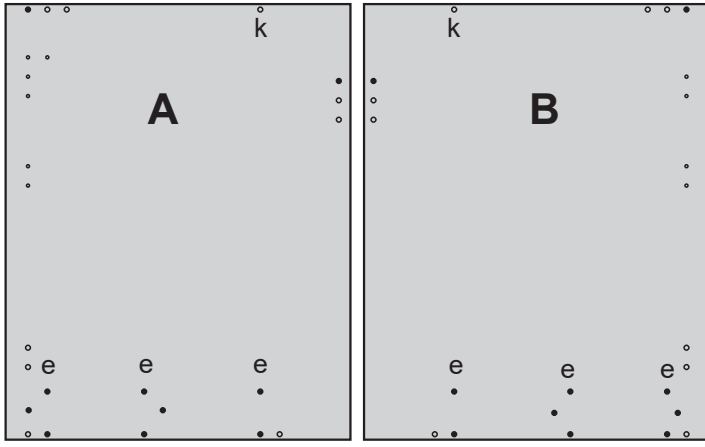


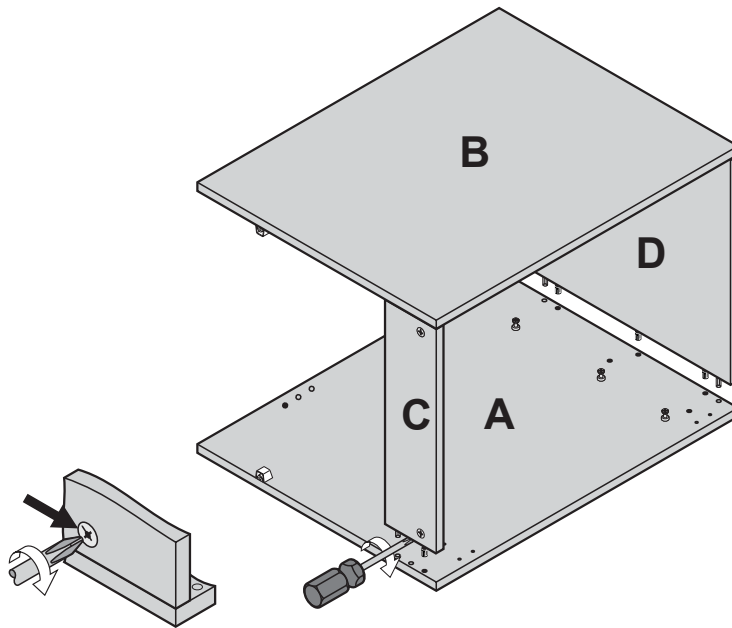


1

Fix the fittings to the side panels A and B in the positions shown.  
Do not use a mallet.



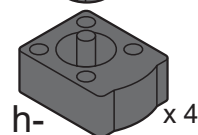
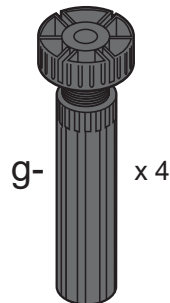
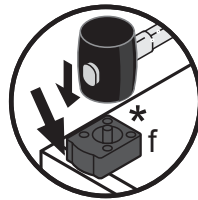
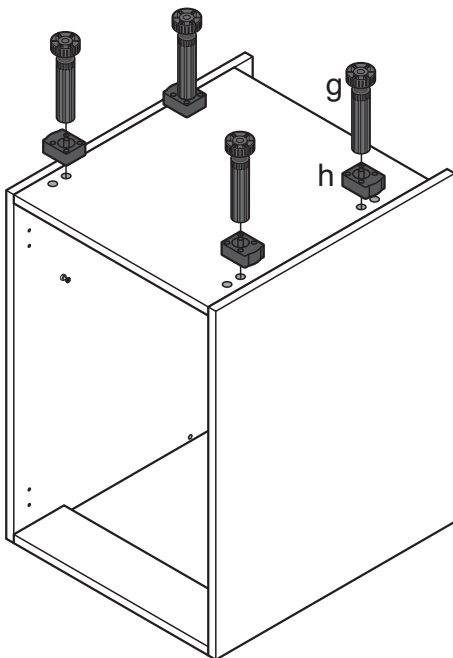
2



**IMPORTANT:** Do not overtighten.

4

**IMPORTANT:** Gently tap the centre pin down.  
Do not drive below top of leg boss.



5

