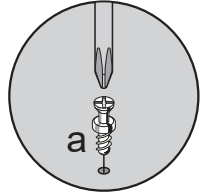
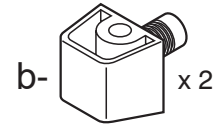
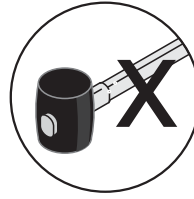
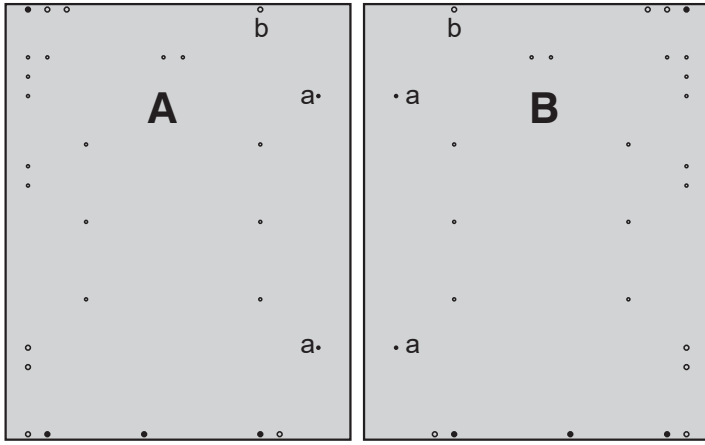
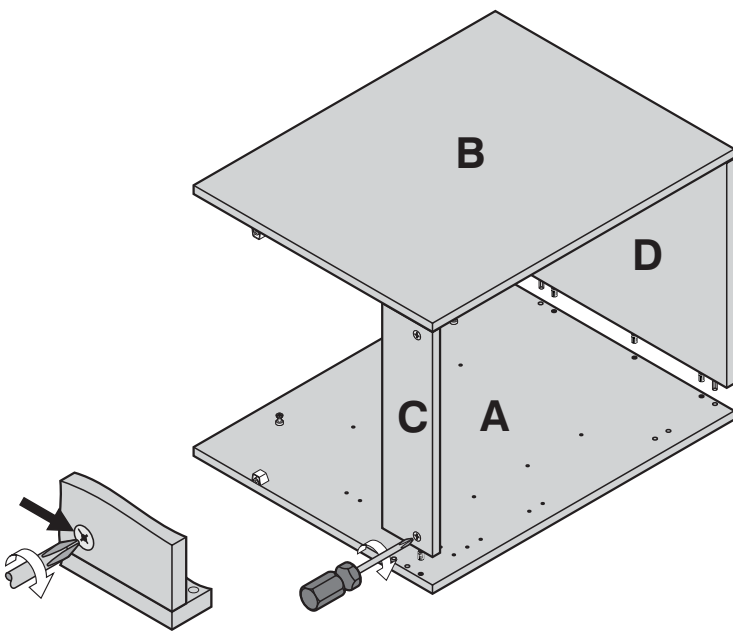


1 **Note:** If this is a unit with drawers, fit the runners at this stage. Side panel drilling pattern may differ to the illustration.

Fix the fittings to the side panels A and B in the positions shown. Do not use a mallet.

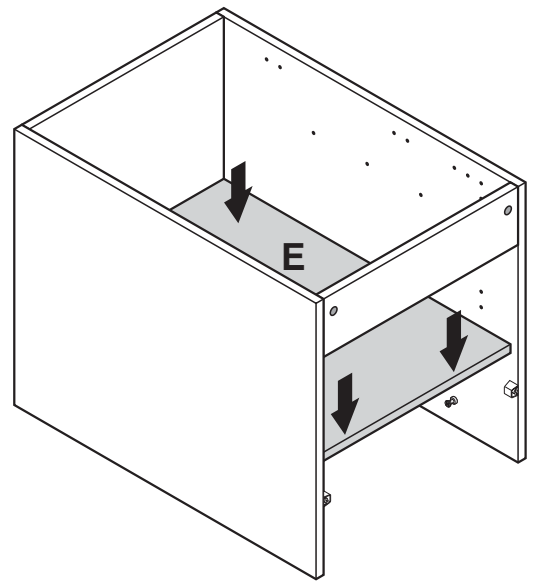


2



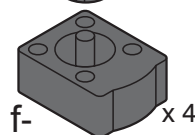
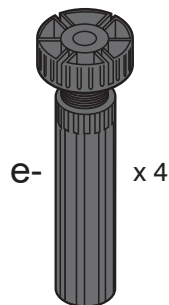
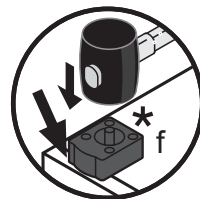
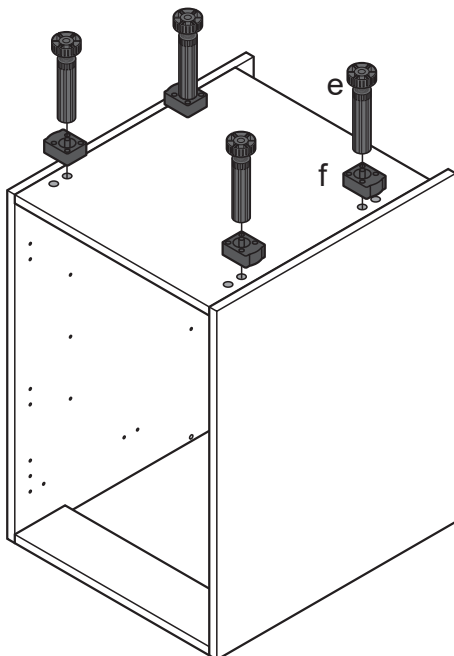
IMPORTANT: Do not overtighten.

3



4

IMPORTANT: Gently tap the centre pin down. Do not drive below top of leg boss.



5

